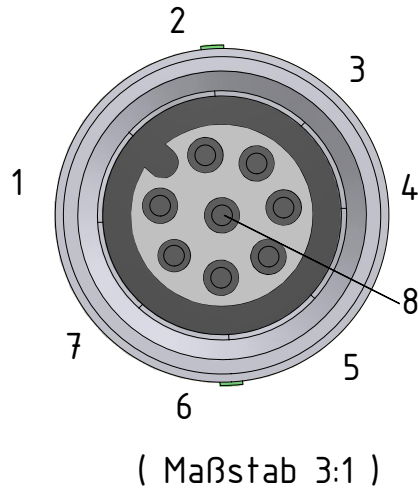


Belegung <i>Configuration</i>	Pol <i>contacts</i>
----------------------------------	------------------------

weiß <i>white</i>	an 1 <i>at 1</i>
braun <i>brown</i>	an 2 <i>at 2</i>
grün <i>green</i>	an 3 <i>at 3</i>
gelb <i>yellow</i>	an 4 <i>at 4</i>
grau <i>grey</i>	an 5 <i>at 5</i>
rosa <i>pink</i>	an 6 <i>at 6</i>
blau <i>blue</i>	an 7 <i>at 7</i>
rot <i>red</i>	an 8 <i>at 8</i>

Schirm durchgängig an Verschraubung
Shield constantly at screw connection



Anschlussquerschnitt 0,25mm² (AWG 24)
Schutzart IP67 geschirmt
Obere Grenztemperatur + 80°C
Untere Grenztemperatur - 25°C

Wire gauge 0,25mm² (AWG 24)
Degree of protection IP67 shielded
Upper temperature + 80°C
Lower temperature - 25°C

Gewicht: 0.550 Kg
Weight: 0.550 Kg

Seite 1 von 1
Page 1 of 1